

General Specifications

GS 33K50F50-50E

Model ANT10U
Unit for Optical ESB Bus
Repeater Module
(for AFV30□/AFV40□)



[Release 5]

■ GENERAL

This unit is used to install Optical ESB Bus Repeater Module. It can be used to connect the Optical ESB bus in a star or chain configuration. In a star configuration, this unit functions as the hub of the Optical ESB bus.

■ STANDARD SPECIFICATIONS

For the installation specifications and environmental conditions that are common to the systems, refer to "FIO System Overview (for Vnet/IP) (GS33K50F10-50E)."

● Power Supply

Voltage: 100-120 V AC, Frequency: 50/60 Hz
Voltage: 220-240 V AC, Frequency: 50/60 Hz
Voltage: 24 V DC
Specify with suffix codes

● Electric Power Consumption

100-120 V AC: 200 VA, 120 W
220-240 V AC: 230 VA, 120 W
24 V DC: 5.5 A

● Weight

5.6 kg

● Mounting Type

19-inch Rack Mount (M5 x 4 screws)
Insulation bush (accessory).

● Regulatory Compliance

For the detailed information on following standards, see "Integrated Production Control System CENTUM VP System Overview (for Vnet/IP) (GS33K01A10-50E)."

Safety Standards

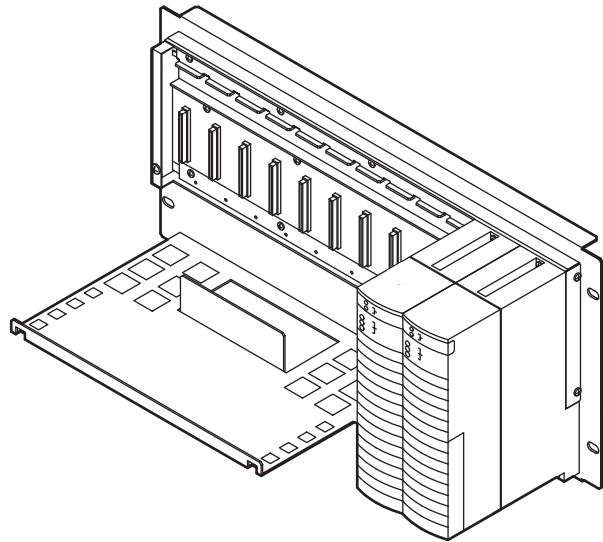
[CSA] (for 100-120 V AC power supply)
[CE Marking] (for 100-120 V AC, 220-240 V AC, and 24 V DC power supply)
[EAC Marking] (for 100-120 V AC, 220-240 V AC, and 24 V DC power supply)

EMC Conformity Standards

[CE Marking] (for 100-120 V AC, 220-240 V AC, and 24 V DC power supply)
[RCM] (for 220-240 V AC and 24 V DC power supply)
[KC Marking] (for 100-120 V AC, 220-240 V AC, and 24 V DC power supply)
[EAC Marking] (for 100-120 V AC, 220-240 V AC, and 24 V DC power supply)

Standards for Hazardous Location Equipment

[CSA Non-Incendive] (for 100-120 V AC and 24 V DC power supply)
[FM Non-Incendive] (for 100-120 V AC, 220-240 V AC, and 24 V DC power supply)
[Type n] (for 24 V DC power supply)



F01E.ai

■ CONFIGURATIONS

● Module Configurations

- Power Supply Module (PW481, PW482, or PW484):
Two modules in case of a dual-redundant configuration.
Power supply to the I/O modules, and supply power to the transmitters.
The power supply terminals use M4 screws.
- Optical ESB Bus Repeater Master Module for 5 km (ANT401) (*1):
Two modules in case of a dual-redundant configuration.
- Optical ESB Bus Repeater Master Module for 5 km to 50 km (ANT411) (*1):
Two modules in case of a dual-redundant configuration.
- Optical ESB Bus Repeater Slave Module for 5 km (ANT502) (*1):
Two modules in case of a dual-redundant configuration.
- Optical ESB Bus Repeater Slave Module for 5 km to 50 km (ANT512) (*1):
Two modules in case of a dual-redundant configuration.

*1: A maximum total of 10 modules per unit can be installed.
Non-standard components.

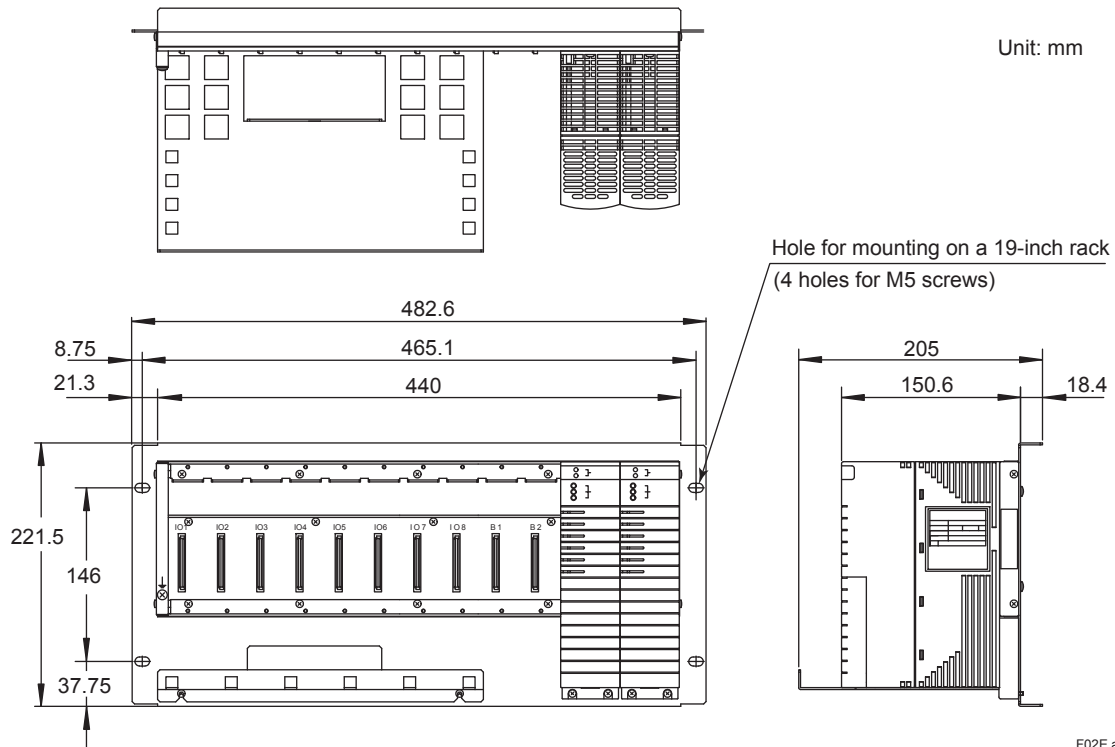
■ RESTRICTIONS AND PRECAUTIONS FOR INSTALLATION

Only the ANT401, ANT502, ANT411, and ANT512 modules can be installed in this unit. The dual-redundant configuration of power supply modules requires the dual-redundant configuration of Optical ESB Bus Repeater Modules. If dual-redundant supply modules are used in combination with a single Optical ESB Bus Repeater Module, a power supply failure in the right-hand power supply module cannot be detected.

For the installation restrictions for Optical ESB Bus Repeater Modules, see the general specifications of "Optical ESB Bus Repeater Module" (GS 33K50F51-50E/GS 33K50F52-50E).

■ EXTERNAL DIMENSIONS

ANT10U Unit for Optical ESB Bus Repeater Module



■ MODELS AND SUFFIX CODES

Unit for Optical ESB Bus Repeater Module

		Description
Model	ANT10U	Unit for Optical ESB Bus Repeater Module (for AFV30□/AFV40□)
Suffix Codes	-3	Single power supply module
	-4	Dual-redundant power supply module
	1	100 - 120 V AC power supply (*1)
	2	220 - 240 V AC power supply (*1)
	4	24 V DC power supply (*1)
	5	Basic type with no explosion protection
	6	With ISA Standard G3 option, temperature (-20 °C to 70 °C) option, and no explosion protection
	E	Basic type with explosion protection
F	With ISA Standard G3 option, temperature (-20 °C to 70 °C) option, and explosion protection	
Option Code	/ATDOC	Explosion Protection Manual (*2)

*1: To meet the safety standards and EMC standards, the unit must be installed in a keyed metallic cabinet.

*2: Select the option code "/ATDOC" to follow the ATEX/IECEX Directive for use in potentially explosive atmospheres.

■ STANDARD ACCESSORIES

The unit for optical ESB Bus repeater module is supplied with the following accessory.

Parts Names	Parts Numbers	Description	Quantity	Remarks
Insulating bush	S9049PM	-	4	Accessory

■ ORDERING INFORMATION

Specify model and suffix codes.

For selecting the right products for explosion protection, please refer to TI 33Q01J30-01E without fail.

■ TRADEMARKS

- CENTUM and Vnet/IP are registered trademarks of Yokogawa Electric Corporation.
- Other product and company names appearing in this document are trademarks or registered trademarks of their respective holders.